

ICE FLEX BOPLAN SPECIFICATION SHEET

Revision: 30 April 2020 9:56 AM

PRODUCT SPECIFICATIONS

APPLICATION

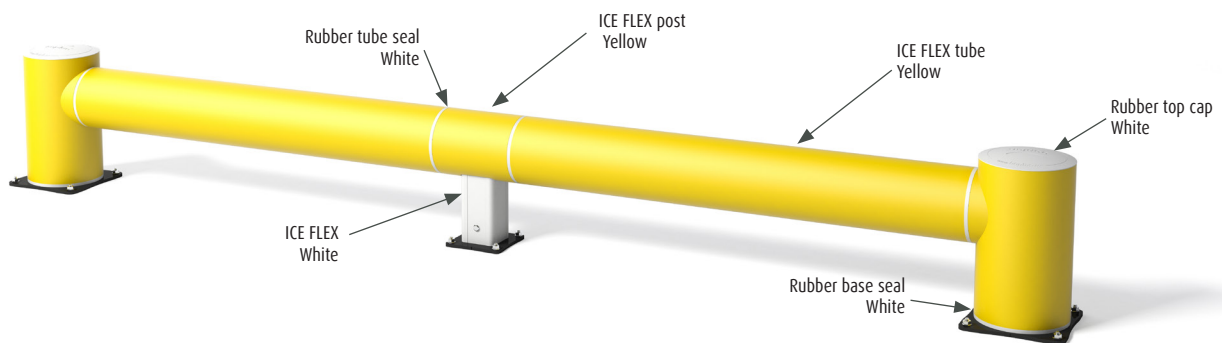
Protection	Tested and approved safety products for industrial cold storage
Environments	Indoor and outdoor use Operational temperature -30°C up to 0°C
Features	Made of polymers withstanding impact at deep freezing temperatures Rubber seals and caps for maximal impact resistance Standard zinc coated baseplate and fixations (stainless steel also available)



TB400 - ICE FLEX

End post - ZC End post - SS	ITB400-0001-EPYEZ ITB400-0001-EPYES
Mid post - ZC Mid post - SS	ITB400-0001-MPYEZ ITB400-0001-MPYES
FU - 750mm - 1C - ZC FU - 750mm - 1C - SS	ITB400-0750-FU1CYEZ ITB400-0750-FU1CYES
FU - 750mm - 2C - ZC FU - 750mm - 2C - SS	ITB400-0750-FU2CYEZ ITB400-0750-FU2CYES
FU - 750mm - OD - ZC FU - 750mm - OD - SS	ITB400-0750-FUYEZ ITB400-0750-FUYES
FU - 751 - 1750mm - 1C - ZC FU - 751 - 1750mm - 1C - SS	ITB401-1750-FU1CYEZ ITB401-1750-FU1CYES
FU - 751 - 1750mm - 2C - ZC FU - 751 - 1750mm - 2C - SS	ITB401-1750-FU2CYEZ ITB401-1750-FU2CYES
FU - 751 - 1750mm - OD - ZC FU - 751 - 1750mm - OD - SS	ITB401-1750-FUYEZ ITB401-1750-FUYES

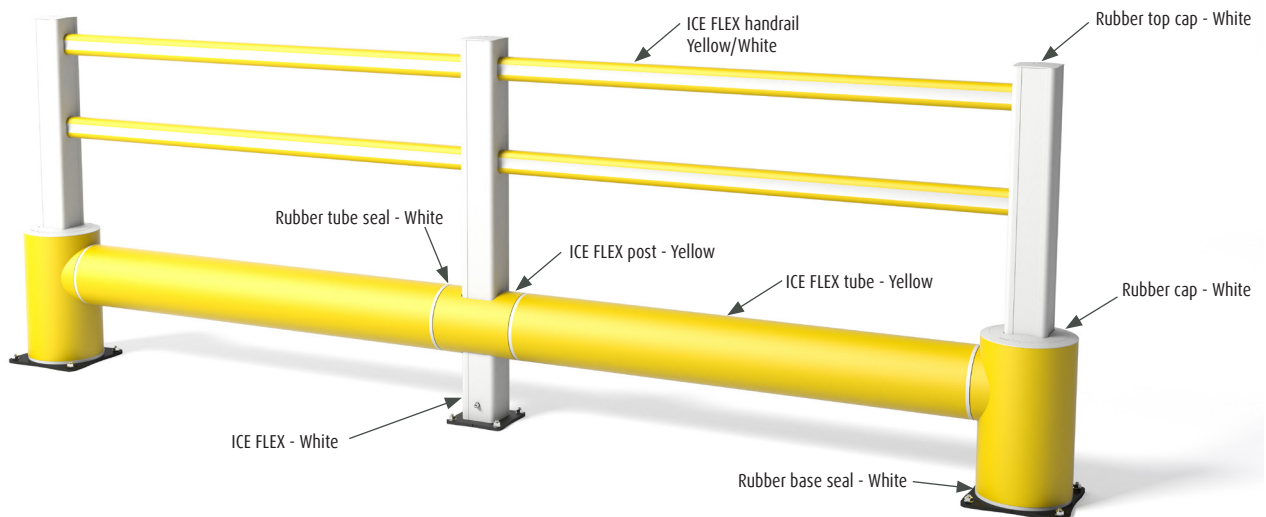
Conn.tube Ø200	ITB400-0350-C200YE
Conn.tube Ø200 - 45°	ITB400-0350-C204YE
Conn.tube Ø200 - 90°	ITB400-0350-C209YE
Conn.tube Ø250	ITB400-0350-C250YE
Conn.tube Ø250 - 90°	ITB400-0350-C259YE
Std rail - CC1000mm - 750mm	ITB400-0750-1000YE
Std rail - CC1200mm - 950mm	ITB400-0950-1200YE
Std rail - CC1400mm - 1150mm	ITB400-1150-1400YE
Std rail - CC1600mm - 1350mm	ITB400-1350-1600YE
Std rail - CC1800mm - 1550mm	ITB400-1550-1800YE
Std rail - CC2000mm - 1750mm	ITB400-1750-2000YE
Short rail - CC850-1599mm	ITB409-1599-SRYE
Long rail - CC1601-2000mm	ITB409-2000-LRYE



TB400 PLUS - ICE FLEX

End post - ZC End post - SS	ITP400-0001-EPYEZ ITP400-0001-EPYES
End corner post 90° - UP - ZC End corner post 90° - UP - SS	ITP400-0001-CPUYEZ ITP400-0001-CPUYES
End corner post 90° - DOWN - ZC End corner post 90° - DOWN - SS	ITP400-0001-CPDYEZ ITP400-0001-CPDYES
T end post - ZC T end post - SS	ITP400-0001-TPYEZ ITP400-0001-TPYES
Mid post - ZC Mid post - SS	ITP400-0001-MPYEZ ITP400-0001-MPYES
FU - 750mm - 1C (Endpost) - ZC FU - 750mm - 1C (Endpost) - SS	ITP400-0750-FU1CYEZ ITP400-0750-FU1CYES
FU - 750mm - 2C (Endpost) - ZC FU - 750mm - 2C (Endpost) - SS	ITP400-0750-FU2CYEZ ITP400-0750-FU2CYES
FU - 750mm - OD (Endpost) - ZC FU - 750mm - OD (Endpost) - SS	ITP400-0750-FUYEZ ITP400-0750-FUYES
FU - 751 - 1750mm - 1C (Endpost) - ZC FU - 751 - 1750mm - 1C (Endpost) - SS	ITP401-1750-FU1CYEZ ITP401-1750-FU1CYES
FU - 751 - 1750mm - 2C - ZC FU - 751 - 1750mm - 2C - SS	ITP401-1750-FU2CYEZ ITP401-1750-FU2CYES
FU - 751 - 1750mm - OD (Endpost) - ZC FU - 751 - 1750mm - OD (Endpost) - SS	ITP401-1750-FUYEZ ITP401-1750-FUYES

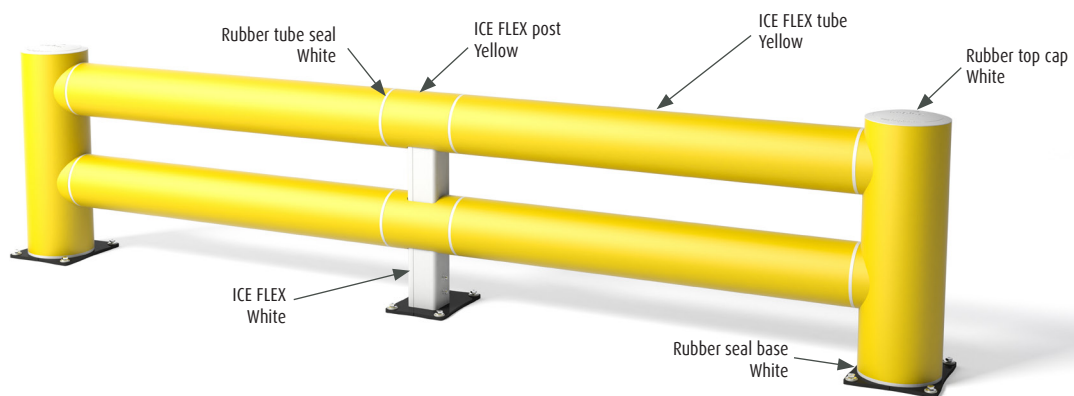
Conn.tube Ø200	ITP400-0350-C200YE
Conn.tube Ø200 - 45°	ITP400-0350-C204YE
Conn.tube Ø200 - 90°	ITP400-0350-C209YE
Conn.tube Ø250	ITP400-0350-C250YE
Conn.tube Ø250 - 90°	ITP400-0350-C259YE
Std rail - CC1000mm - 750mm	ITP400-0750-1000YE
Std rail - CC1200mm - 950mm	ITP400-0950-1200YE
Std rail - CC1400mm - 1150mm	ITP400-1150-1400YE
Std rail - CC1600mm - 1350mm	ITP400-1350-1600YE
Std rail - CC1800mm - 1550mm	ITP400-1550-1800YE
Std rail - CC2000mm - 1750mm	ITP400-1550-1800YE
Short rail - CC850-1599mm	ITP409-1599-SRYE
Long rail - CC1601-2000mm	ITP409-2000-LRYE



TB400 DOUBLE - ICE FLEX

End post Left - ZC End post Left - SS	IDT400-0001-EPLYEZ IDT400-0001-EPLYES
End post Right - ZC End post Right - SS	IDT400-0001-EPRYZEY IDT400-0001-EPRYYES
Mid post - ZC Mid post - SS	IDT400-0001-MPYEZ IDT400-0001-MPYES
FU - 750mm - 1C - Left - ZC FU - 750mm - 1C - Left - SS	IDT400-0750-FU1CLYEZ IDT400-0750-FU1CLYES
FU - 750mm - 1C - Right - ZC FU - 750mm - 1C - Right - SS	IDT400-0750-FU1CRYEZ IDT400-0750-FU1CRYES
FU - 750mm - 2C - ZC FU - 750mm - 2C - SS	IDT400-0750-FU2CYEZ IDT400-0750-FU2CYES
FU - 750mm - OD - ZC FU - 750mm - OD - SS	IDT400-0750-FUYEZ IDT400-0750-FUYES
FU - 751 - 1750mm - 1C - Left - ZC FU - 751 - 1750mm - 1C - Left - SS	IDT401-1750-FU1CLYEZ IDT401-1750-FU1CLYES
FU - 751 - 1750mm - 1C - Right - ZC FU - 751 - 1750mm - 1C - Right - SS	IDT401-1750-FU1CRYEZ IDT401-1750-FU1CRYES
FU - 751 - 1750mm - 2C - ZC FU - 751 - 1750mm - 2C - SS	IDT401-1750-FU2CYEZ IDT401-1750-FU2CYES
FU - 751 - 1750mm - OD - ZC FU - 751 - 1750mm - OD - SS	IDT401-1750-FUYEZ IDT401-1750-FUYES

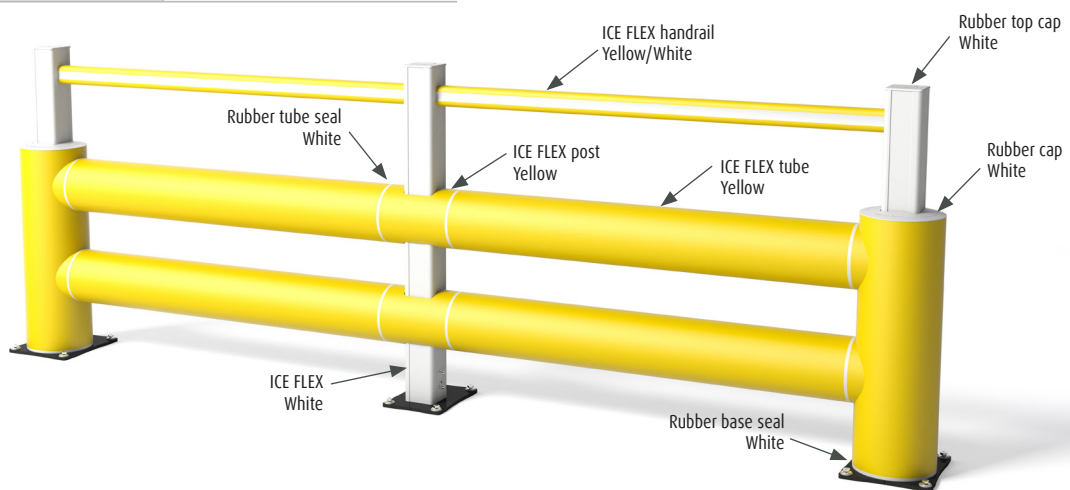
Conn.tube Ø200	IDT400-0350-C200YE
Conn.tube Ø200 - 45°	IDT400-0350-C204YE
Conn.tube Ø200 - 90°	IDT400-0350-C209YE
Conn.tube Ø250	IDT400-0350-C250YE
Conn.tube Ø250 - 90°	IDT400-0350-C259YE
Std rail - CC1000mm - 750mm	IDT400-0750-1000YE
Std rail - CC1200mm - 950mm	IDT400-0950-1200YE
Std rail - CC1400mm - 1150mm	IDT400-1150-1400YE
Std rail - CC1600mm - 1350mm	IDT400-1350-1600YE
Std rail - CC1800mm - 1550mm	IDT400-1550-1800YE
Std rail - CC2000mm - 1750mm	IDT400-1750-2000YE
Short rail - CC850-1599mm	IDT409-1599-SRYE
Long rail - CC1601-2000mm	IDT409-2000-LRYE



TB400 DOUBLE PLUS - ICE FLEX

End post Left - ZC End post Left - SS	IDP400-0001-EPLYEZ IDP400-0001-EPLYES
End post Right - ZC End post Right - SS	IDP400-0001-EPRYZEY IDP400-0001-EPRYYES
End corner post 90° - Left - UP - ZC End corner post 90° - Left - UP - SS	IDP400-0001-CPULYEZ IDP400-0001-CPULYES
End corner post 90° - Right - UP - ZC End corner post 90° - Right - UP - SS	IDP400-0001-CPURYEZ IDP400-0001-CPURYES
End corner post 90° - Left - DOWN - ZC End corner post 90° - Left - DOWN - SS	IDP400-0001-CPDLYEZ IDP400-0001-CPDLYES
End corner post 90° - Right - DOWN - ZC End corner post 90° - Right - DOWN - SS	IDP400-0001-CPDRYEZ IDP400-0001-CPDRYES
T end post - Left - ZC T end post - Left - SS	IDP400-0001-TPLYEZ IDP400-0001-TPLYES
T end post - Right - ZC T end post - Right - SS	IDP400-0001-TPRYEZ IDP400-0001-TPRYES
Mid post - ZC Mid post - SS	IDP400-0001-MPYEZ IDP400-0001-MPYES
FU - 750mm - 1C (Endpost) - Left - ZC FU - 750mm - 1C (Endpost) - Left - SS	IDP400-0750-FU1CLYEZ IDP400-0750-FU1CLYES
FU - 750mm - 1C (Endpost) - Right - ZC FU - 750mm - 1C (Endpost) - Right - SS	IDP400-0750-FU1CRYEZ IDP400-0750-FU1CRYES
FU - 750mm - 2C - ZC FU - 750mm - 2C - SS	IDP400-0750-FU2CYEZ IDP400-0750-FU2CYES
FU - 750mm - OD (Endpost) - ZC FU - 750mm - OD (Endpost) - SS	IDP400-0750-FUYEZ IDP400-0750-FUYES

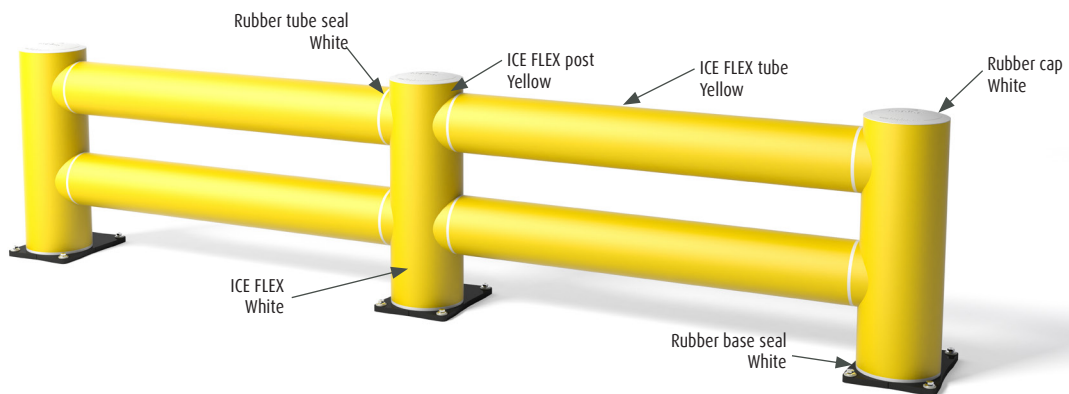
FU - 751 - 1750mm - 1C (Endpost) - Left - ZC FU - 751 - 1750mm - 1C (Endpost) - Left - SS	IDP401-1750-FU1CLYEZ IDP401-1750-FU1CLYES
FU - 751 - 1750mm - 1C (Endpost) - Right - ZC FU - 751 - 1750mm - 1C (Endpost) - Right - SS	IDP401-1750-FU1CRYEZ IDP401-1750-FU1CRYES
FU - 751 - 1750mm - 2C - ZC FU - 751 - 1750mm - 2C - SS	IDP401-1750-FU2CYEZ IDP401-1750-FU2CYES
FU - 751 - 1750mm - OD (Endpost) - ZC FU - 751 - 1750mm - OD (Endpost) - SS	IDP401-1750-FUYEZ IDP401-1750-FUYES
Conn.tube Ø200	IDP400-0350-C200YE
Conn.tube Ø200 - 45°	IDP400-0350-C204YE
Conn.tube Ø200 - 90°	IDP400-0350-C209YE
Conn.tube Ø250	IDP400-0350-C250YE
Conn.tube Ø250 - 90°	IDP400-0350-C259YE
Std rail - CC1000mm - 750mm	IDP400-0750-1000YE
Std rail - CC1200mm - 950mm	IDP400-0950-1200YE
Std rail - CC1400mm - 1150mm	IDP400-1150-1400YE
Std rail - CC1600mm - 1350mm	IDP400-1350-1600YE
Std rail - CC1800mm - 1550mm	IDP400-1550-1800YE
Std rail - CC2000mm - 1750mm	IDP400-1750-2000YE
Short rail - CC850-1599mm	IDP409-1599-SRYE
Long rail - CC1601-2000mm	IDP409-2000-LRYE



TB400 SUPER DOUBLE - ICE FLEX

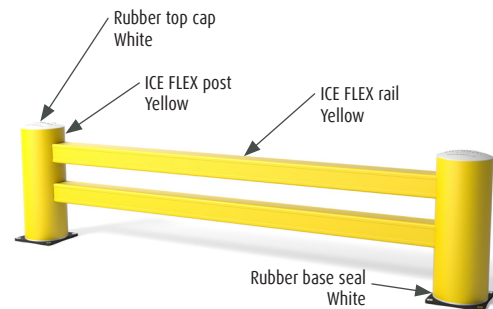
End post Left - ZC End post Left - SS	IDS400-0001-EPLYEZ IDS400-0001-EPLYES
End post Right - ZC End post Right - SS	IDS400-0001-EPRYZEY IDS400-0001-EPRYYES
Mid post - ZC Mid post - SS	IDS400-0001-MPYEZ IDS400-0001-MPYES
FU - 750mm - 1C - Left - ZC FU - 750mm - 1C - Left - SS	IDS400-0750-FU1CLYEZ IDS400-0750-FU1CLYES
FU - 750mm - 1C - Right - ZC FU - 750mm - 1C - Right - SS	IDS400-0750-FU1CRYEZ IDS400-0750-FU1CRYES
FU - 750mm - 2C - ZC FU - 750mm - 2C - SS	IDS400-0750-FU2CYEZ IDS400-0750-FU2CYES
FU - 750mm - OD - ZC FU - 750mm - OD - SS	IDS400-0750-FUYEZ IDS400-0750-FUYES
FU - 751 - 1750mm - 1C - Left - ZC FU - 751 - 1750mm - 1C - Left - SS	IDS401-1750-FU1CLYEZ IDS401-1750-FU1CLYES
FU - 751 - 1750mm - 1C - Right - ZC FU - 751 - 1750mm - 1C - Right - SS	IDS401-1750-FU1CRYEZ IDS401-1750-FU1CRYES
FU - 751 - 1750mm - 2C - ZC FU - 751 - 1750mm - 2C - SS	IDS401-1750-FU2CYEZ IDS401-1750-FU2CYES
FU - 751 - 1750mm - OD - ZC FU - 751 - 1750mm - OD - SS	IDS401-1750-FUYEZ IDS401-1750-FUYES

Conn.tube Ø200	IDS400-0350-C200YE
Conn.tube Ø200 - 45°	IDS400-0350-C204YE
Conn.tube Ø200 - 90°	IDS400-0350-C209YE
Conn.tube Ø250	IDS400-0350-C250YE
Conn.tube Ø250 - 90°	IDS400-0350-C259YE
Std rail - CC1000mm - 750mm	IDS400-0750-1000YE
Std rail - CC1200mm - 950mm	IDS400-0950-1200YE
Std rail - CC1400mm - 1150mm	IDS400-1150-1400YE
Std rail - CC1600mm - 1350mm	IDS400-1350-1600YE
Std rail - CC1800mm - 1550mm	IDS400-1550-1800YE
Std rail - CC2000mm - 1750mm	IDS400-1750-2000YE
Short rail - CC850-1599mm	IDS409-1599-SRYE
Long rail - CC1601-2000mm	IDS409-2000-LRYE



RACK END - ICE FLEX

		WITH ROTOR
Rack End BO kit - 1100mm - ZC Rack End BO kit - 1100mm - SS	IRE200-1100-0001YEZ IRE200-1100-0001YES	IRE200-1100-R001YEZ IRE200-1100-R001YES
Rack End BO kit - 2200mm - ZC Rack End BO kit - 2200mm - SS	IRE200-2200-0001YEZ IRE200-2200-0001YES	IRE200-2200-R001YEZ IRE200-2200-R001YES
Rack End BO kit - 2400mm - ZC Rack End BO kit - 2400mm - SS	IRE200-2400-0001YEZ IRE200-2400-0001YES	IRE200-2400-R001YEZ IRE200-2400-R001YES
Rack End BO kit - !1750-1350! - ZC Rack End BO kit - !1750-1350! - SS	IRE201-1350-0001YEZ IRE201-1350-0001YES	IRE201-1350-R001YEZ IRE201-1350-R001YES
Rack End BO kit - !1351-1800! - ZC Rack End BO kit - !1351-1800! - SS	IRE201-1800-0001YEZ IRE201-1800-0001YES	IRE201-1800-R001YEZ IRE201-1800-R001YES
Rack End BO kit - !1801-2500! - ZC Rack End BO kit - !1801-2500! - SS	IRE201-2500-0001YEZ IRE201-2500-0001YES	IRE201-2500-R001YEZ IRE201-2500-R001YES
Rack End BO kit - !2510-3200! (incl.support) - ZC Rack End BO kit - !2510-3200! (incl.support) - SS	IRE201-3200-0001YEZ IRE201-3200-0001YES	IRE201-3200-R001YEZ IRE201-3200-R001YES



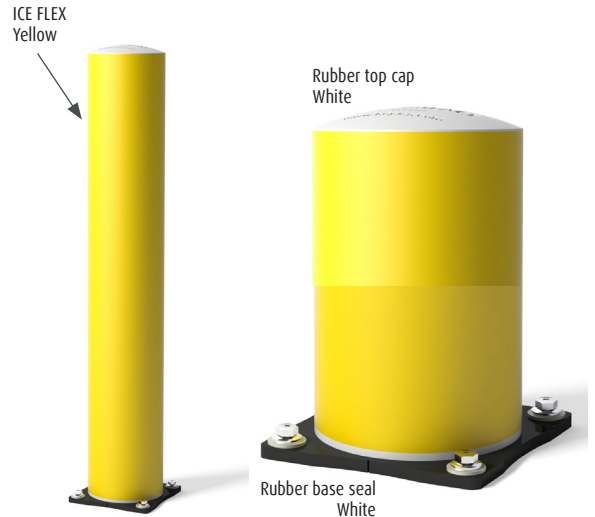
RACK PROTECTOR - ICE FLEX

RackBull L protector	IRPL-0600-35YE
RackBull XL protector	IRPXL-0600-70YE



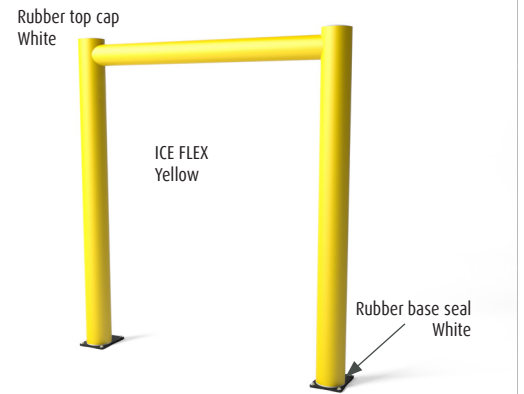
BOLLARD IMPACT - ICE FLEX

Bollard Impact - 200x450mm (TB400) - ZC Bollard Impact - 200x450mm (TB400) - SS	IBO200-0450-0001YEZ IBO200-0450-0001YES
Bollard Impact - 200x600mm (TB550) - ZC Bollard Impact - 200x600mm (TB550) - SS	IBO200-0600-0001YEZ IBO200-0600-0001YES
Bollard Impact - 200x750mm - ZC Bollard Impact - 200x750mm - SS	IBO200-0750-0001YEZ IBO200-0750-0001YES
Bollard Impact - 200x1000mm - ZC Bollard Impact - 200x1000mm - SS	IBO200-1000-0001YEZ IBO200-1000-0001YES
Bollard Impact - 200x1200mm - ZC Bollard Impact - 200x1200mm - SS	IBO200-1200-0001YEZ IBO200-1200-0001YES
Bollard Impact - EP (R50) - 2R(TB) - 1200mm - YE - ZC Bollard Impact - EP (R50) - 2R(TB) - 1200mm - YE - SS	IBO200-1200-E205TYEZ IBO200-1200-E205TYES
Bollard Impact - MP (R50) - 2R(TB) - 1200mm - YE - ZC Bollard Impact - MP (R50) - 2R(TB) - 1200mm - YE - SS	IBO200-1200-M205TYEZ IBO200-1200-M205TYES
Bollard Impact - CP 90° - (R50) - 2R(TB) - 1200mm - ZC Bollard Impact - CP 90° - (R50) - 2R(TB) - 1200mm - SS	IBO200-1200-C295TYEZ IBO200-1200-C295TYES
Bollard Impact - CP 45° - (R50) - 2R(TB) - 1200mm - ZC Bollard Impact - CP 45° - (R50) - 2R(TB) - 1200mm - SS	IBO200-1200-C245TYEZ IBO200-1200-C245TYES



GOAL POST 250 - ICE FLEX

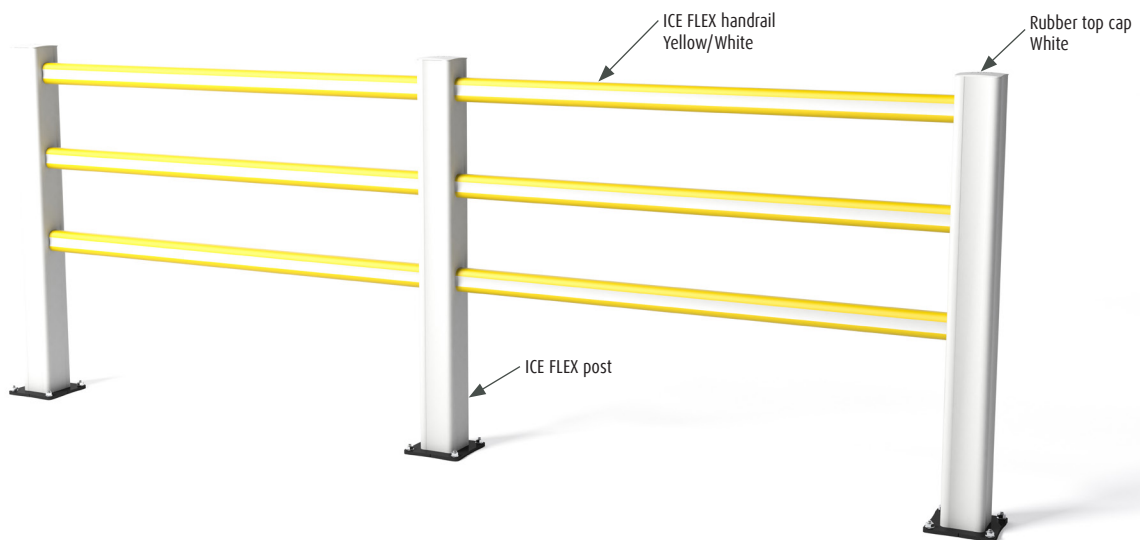
Goal Post 250 - Bollard post - H!2000-3000! - ZC Goal Post 250 - Bollard post - H!2000-3000! - SS	IGP251-3000-S200YEZ IGP251-3000-S200YES
Goal Post 250 - Bollard post - H!3100-4000! - ZC Goal Post 250 - Bollard post - H!3100-4000! - SS	IGP251-4000-S200YEZ IGP251-4000-S200YES
Goal Post 250 - Bollard post - H!4100-6000! (sup. Metal 80) - ZC Goal Post 250 - Bollard post - H!4100-6000! (sup. Metal 80) - SS	IGP251-6000-S80YEZ IGP251-6000-S80YES
Goal Post 250 - Bollard post - H!4100-6000! (sup. R88) - ZC Goal Post 250 - Bollard post - H!4100-6000! (sup. R88) - SS	IGP251-6000-S88YEZ IGP251-6000-S88YES
Goal Post 250 - Top rail - L!1800-2500!	IGP251-2500-TR00YE
Goal Post 250 - Top rail - L!2600-4000!	IGP251-4000-TR00YE
Goal Post 250 - Top rail - L!4100-6000! (support)	IGP251-6000-TR00YE



HANDRAIL PLUS - ICE FLEX

HP Plus - End post - 3R - ZC HP Plus - End post - 3R - SS	IHP112-0001-EPWHZ IHP112-0001-EPWHS
HP Plus - Mid post - 3R - ZC HP Plus - Mid post - 3R - SS	IHP112-0001-MPWHZ IHP112-0001-MPWHS
HP Plus - Corner post 90° - 3R - ZC HP Plus - Corner post 90° - 3R - SS	IHP112-0001-C90WHZ IHP112-0001-C90WHS
HP Plus - Blank post - 3R - ZC HP Plus - Blank post - 3R - SS	IHP112-0001-BPWHZ IHP112-0001-BPWHS

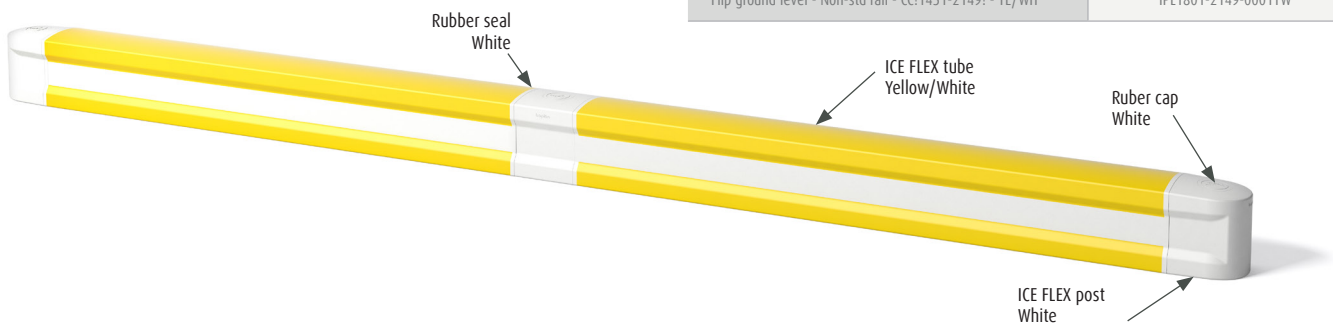
HP Plus - Std rail SET - 500mm - 3R - YE/WH	IHP112-0500-0001YW
HP Plus - Std rail SET - 750mm - 3R - YE/WH	IHP112-0750-0001YW
HP Plus - Std rail SET - 1000mm - 3R - YE/WH	IHP112-1000-0001YW
HP Plus - Std rail SET - 1250mm - 3R - YE/WH	IHP112-1250-0001YW
HP Plus - Std rail SET - 1500mm - 3R - YE/WH	IHP112-1500-0001YW
HP Plus - Std rail SET - 1750mm - 3R - YE/WH	IHP112-1750-0001YW
HP Plus - Std rail SET - 2000mm - 3R - YE/WH	IHP112-2000-0001YW
HP Plus - Non-std rail SET - 1250-2000! - 3R - YE/WH	IHP1121-2000-0001YW
HP Plus - Std corner rail SET 90°/135° - 1500mm - 3R - YE/WH	IHP112-1500-C90YW
HP Plus - Non-std corner rail SET 90°/135° - 1250-2000!-3R - YE/WH	IHP1121-2000-C45YW



FLIP - ICE FLEX

Flip ground level - Corner post 90° - WH	IPL180-0001-CPWH
Flip ground level - End post - WH	IPL180-0001-EPWH
Flip ground level - Mid post - WH	IPL180-0001-MPWH
Flip ground level - Universal Corner post - WH	IPL180-0001-UCWH

Flip ground level - Std rail - CC950mm - 800mm - YE/WH	IPL180-0800-0001YW
Flip ground level - Std rail - CC1150mm - 1000mm - YE/WH	IPL180-1000-0001YW
Flip ground level - Std rail - CC1350mm - 1200mm - YE/WH	IPL180-1200-0001YW
Flip ground level - Std rail - CC1550mm - 1400mm - YE/WH	IPL180-1400-0001YW
Flip ground level - Std rail - CC1750mm - 1600mm - YE/WH	IPL180-1600-0001YW
Flip ground level - Std rail - CC1950mm - 1800mm - YE/WH	IPL180-1800-0001YW
Flip ground level - Std rail - CC2150mm - 2000mm - YE/WH	IPL180-2000-0001YW
Flip ground level - Non-std rail - CC1450-1449! - YE/WH	IPL1801-1449-0001YW
Flip ground level - Non-std rail - CC1451-2149! - YE/WH	IPL1801-2149-0001YW



COLUMN PROTECTOR - ICE FLEX

	2 HALVES (2 STRAPS INCLUDED)	1 HALVE (2 STRAPS INCLUDED)
KP Protector 100 - YE	IKP100-1100-S200YE	IKP100-1100-S100YE
KP Protector 150 - YE	IKP150-1100-S200YE	IKP150-1100-S100YE
KP Protector 200 - YE	IKP200-1100-S200YE	IKP200-1100-S100YE
KP Protector 300 - YE	IKP300-1100-S200YE	IKP300-1100-S100YE
KP Protector 400 - YE	IKP400-1100-S200YE	IKP400-1100-S100YE
KP Protector 500 - YE	IKP500-1100-S200YE	IKP500-1100-S100YE
KP Protector 600 - YE	IKP600-1100-S200YE	IKP600-1100-S100YE

